

# Full Port Forged Brass Ball Valves

**600 WOG / 150 WSP**  
(400 WOG / 125 WSP for 2½" - 4")  
**ISO 9001**

## 4170 Series - IPS

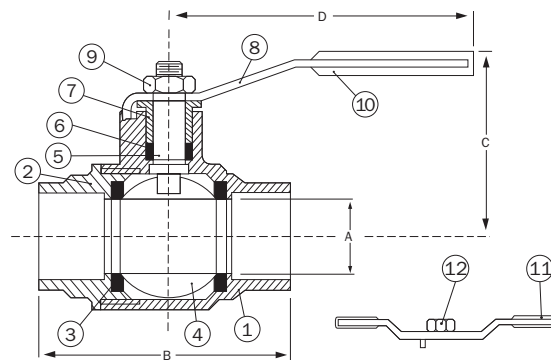


TEMP °F	¼" - 2" PSI	2½- 4" PSI
100	600	400
150	490	327
200	479	313
250	470	293
300	411	274
350	294	196
366	N/A	N/A

### 4170 Series - IPS

ITEM #	SIZE	CTN/CASE	A	B	C	D	C <sub>v</sub>
<b>W/ CHROME PLATED LEVER HANDLE</b>							
41700	1/4	10/120	1/4	1 3/4	1 7/8	3 1/2	7.7
41701	3/8	10/120	3/8	1 3/4	1 7/8	3 1/2	7.9
41702	1/2	10/100	1/2	2 1/16	2 1/16	3 1/2	11.5
41703	3/4	10/60	3/4	2 5/8	2 5/8	3 3/4	27.0
41704	1	6/48	1	2 3/4	2 3/4	4 5/8	49.3
41705	1 1/4	4/32	1 1/4	3 5/16	3	4 1/2	114.0
41706	1 1/2	2/24	1 1/2	3 11/16	3 5/8	5 1/2	161.3
41707	2	2/16	2	4 3/16	4	5 1/2	248.6
41708	2 1/2	2/6	2 1/2	5 5/16	4 7/8	9	262.3
41709	3	1/3	3	6	5 1/2	9	418.2
41710	4	1/2	4	7 1/8	6	9 3/4	567.8
<b>W/ 304 STAINLESS STEEL HANDLE</b>							
41702SSL	1/2	10/100	1/2	2 1/16	2 1/16	3 1/2	11.5
41703SSL	3/4	10/60	3/4	2 5/8	2 5/8	3 3/4	27.0
41704SSL	1	6/48	1	2 3/4	2 3/4	4 5/8	49.3
41705SSL	1 1/4	4/32	1 1/4	3 5/16	3	4 1/2	114.0
41706SSL	1 1/2	2/24	1 1/2	3 11/16	3 5/8	5 1/2	161.3
41707SSL	2	2/16	2	4 3/16	4	5 1/2	248.6
<b>W/ WING STYLE "T" HANDLE*</b>							
41702T	1/2	10/100	1/2	2 1/16	2 1/16	1 3/4	11.5
41703T	3/4	10/60	3/4	2 5/8	2 5/8	1 3/4	27.0
41704T	1	6/48	1	2 3/4	2 3/4	1 3/4	49.3
<b>W/ 304 STAINLESS STEEL WING STYLE "T" HANDLE</b>							
41702SSW	1/2	10/100	1/2	2 1/16	2 1/16	1 3/4	11.5
41703SSW	3/4	10/60	3/4	2 5/8	2 5/8	1 3/4	27.5
41704SSW	1	6/48	1	2 3/4	2 3/4	1 3/4	49.3

NO.	DESCRIPTION	MATERIAL
1	BODY	BRASS
2	END CAP	BRASS
3	SEAT	PTFE
4	BALL	BRASS HCP
5	STEM	BRASS
6	STEM SEAL	PTFE
7	PACKING GLAND	BRASS
8	LEVER HANDLE	STEEL CP (4170) / STAINLESS STEEL (4170SSL)
9	HANDLE NUT	STEEL CP (4170) / STAINLESS STEEL (4170SSL)
10	HANDLE JACKET	VINYL
11	WING STYLE "T" HANDLE	STAINLESS STEEL (4170SSW) / STEEL CP (4170T)
12	HANDLE NUT	STAINLESS STEEL (4170SSW) / STEEL CP (4170T)



Specifications: Designed for residential, commercial or industrial use with water, oil or gas. This approved Webstone valve is actuated by a blowout proof stem and features an adjustable packing gland. Threaded ends comply with ANSI B1.20.1. \*4170T valves are not manufactured in an ISO facility.

### THIS SPACE FOR DESIGNER / ENGINEER APPROVAL

Job/Customer _____	Date _____	Contractor _____
Model Specified _____	Qty _____	Approved By _____
Designer/Engineer _____	Date _____	Contractor's PO# _____
Submitted by _____	Date _____	Other _____